



SIDDHARTH INSTITUTE OF ENGINEERING & TECHNOLOGY-PUTTUR

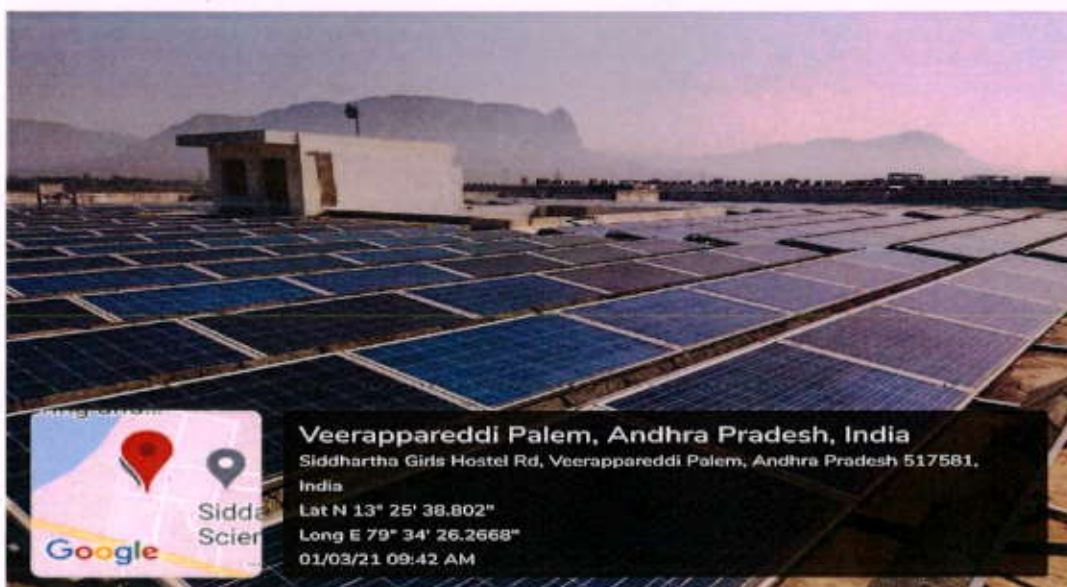
An ISO 9001:2015 Certified Institution, Affiliated to JNTUA, Anantapuramu.

Approved by A.I.C.T.E., New Delhi & Accredited by NAAC, "A" Grade
Siddharth Nagar, Narayanavanam Road, Puttur, 517583, Chittoor (Dt), (A.P).

1.Solar Energy



Rooftop Solar panels installed in the campus



Rooftop Solar panels installed in the campus



Rooftop Solar panels installed in the campus

K. Sridhar
PRINCIPAL
Siddharth Institute of Engineering & Technology
Siddharth Nagar
PUTTUR - 517583, Chittoor Djsf,

3. Wheeling to the Grid



Rooftop Solar Panels Photos



Single Line Diagram Of Solar PV Plant



SOLAR PANEL BOARDS



SOLAR PANEL BOARDS

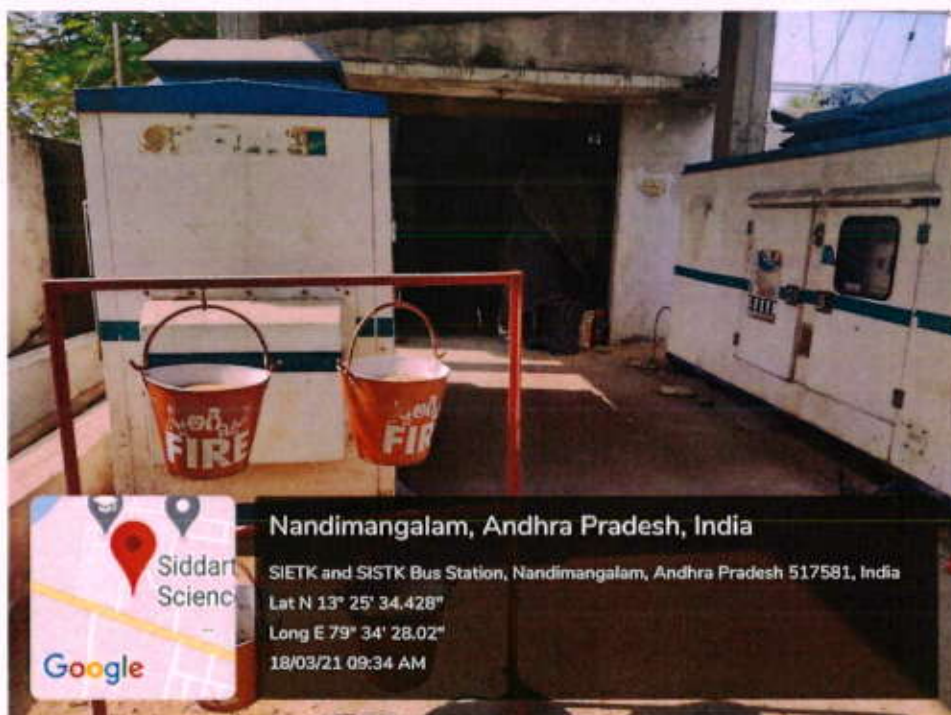


630kVA &500kVA Transformer installed in the campus (Energy Sourcefrom Southern Power Distribution Company of Andhra Pradesh Ltd. (SPDCTL)

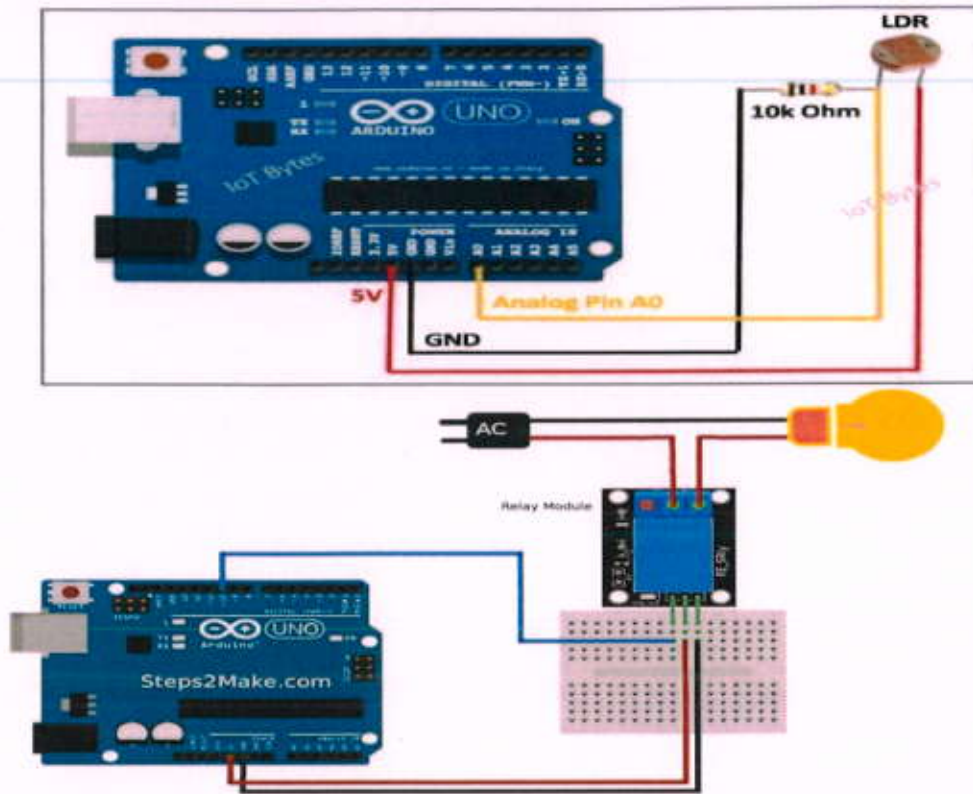
K. Sridhar
PRINCIPAL
Siddharth Institute of Engineering & Technology
Siddharth Nagar
PUTTUR - 517583, Chittoor Dist.



GENERATOR

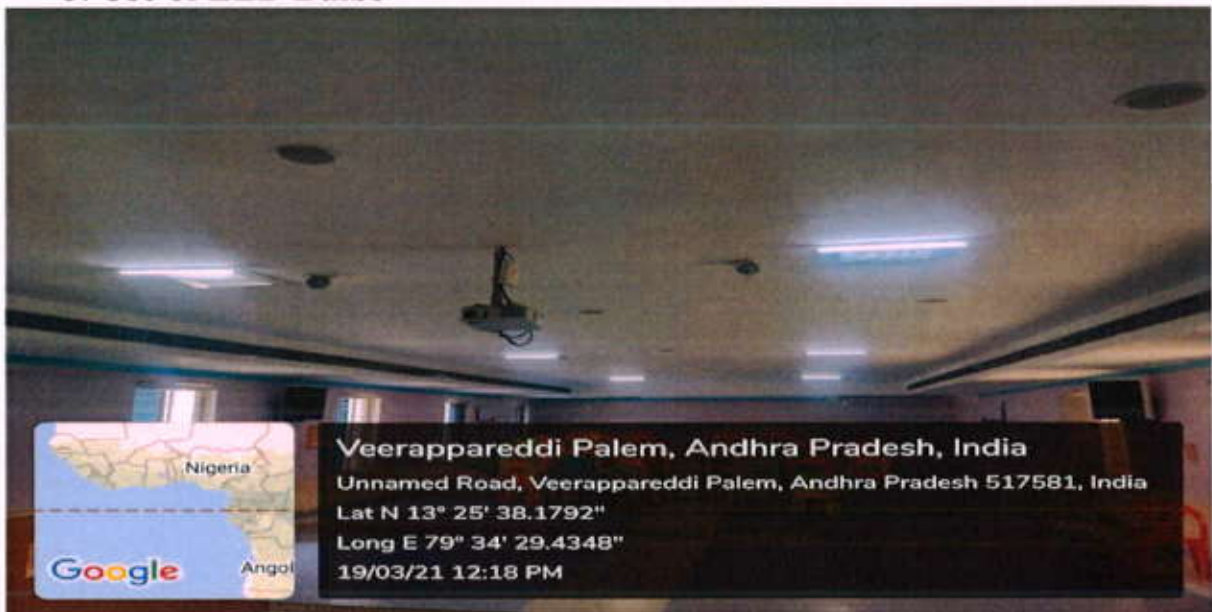


GENERATOR



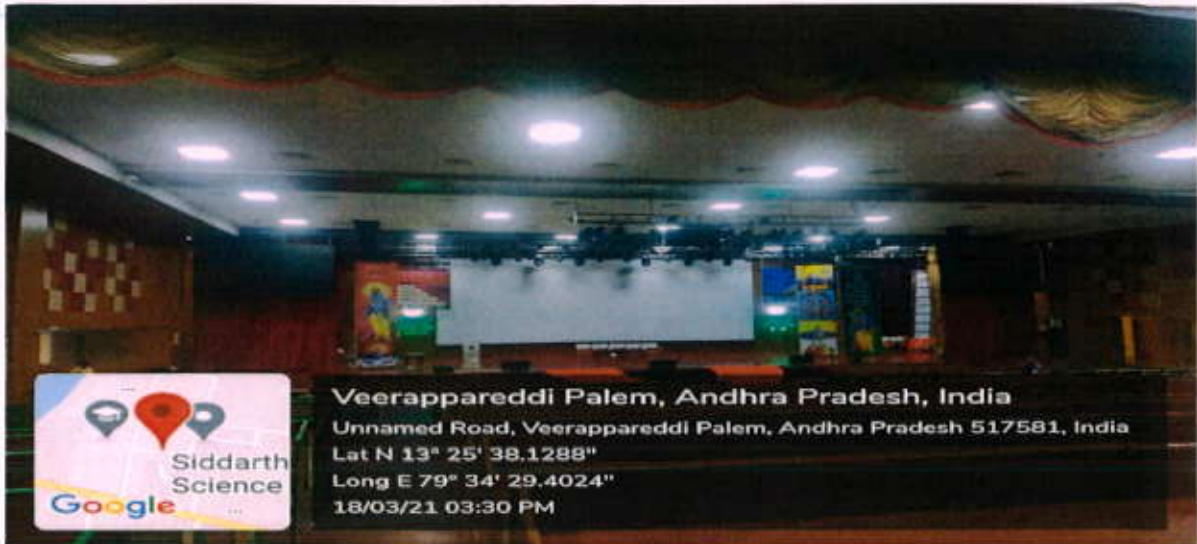
Circuit Diagrams of Sensor Based Automatic Street Light

5. Use of LED Bulbs



LED Bulbs in SDC Seminar Hall, C-Block

K.reddy
PRINCIPAL
 Siddharth Institute of Engineering & Technology
 Siddharth Nagar
 PUTTUR - 517583, Chittoor Dist.



Led Bulbs in Auditorium



LED Bulbs in Street Lights

Prudh
PRINCIPAL
Siddharth Institute of Engineering & Technology
Siddharth Nagar
PUTTUR - 517583, Chittoor Dist.